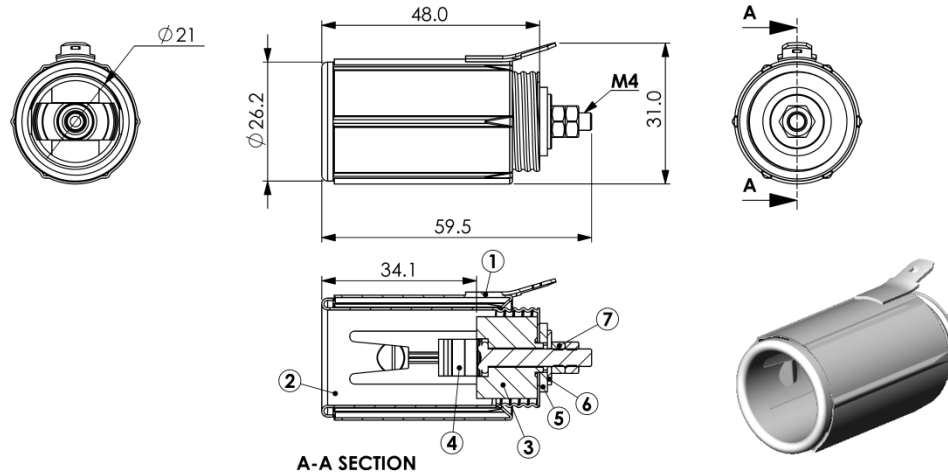


YE-2113 AUTO CIG SOCKET

• **MATERIALS :**
AS SHOWN ON THE
DRAWING



7	Hexascrew Nut	Steel	Zinc Ptd.	2
6	Washer	Steel	Nickel Ptd.	1
5	Bakelite Insulation	Bakelite		1
4	Positive Spring	FeNi Alloy		1
3	Insulation	Ceramic		1
2	YE-2113 Shell Body	Steel	Nickel Ptd.	1
1	Shield Cover	Steel	Nickel Ptd.	1
No.	Description	Material	Treat	Q'ty

俞昌有限公司 YEU TSANG CO. LTD.		品名: ITEM:	AUTO-CIG SOCKET		一般公差 .X +/-0.25 .XX +/-0.10	SHEET: 	單位: unit:	mm	日期: date:	'07/01/23	繪圖: drwn by:	DanielShyr
料號: PART NO	YE-2113	圖號: DRW NO.			比例: scale:	1:1	版本: version:	V. 1.0	核准: aprvd by:	SkyShyr		

COPYRIGHT BY YEU TSANG